

Install in 22-dia. or 25-dia. Panel Cutout

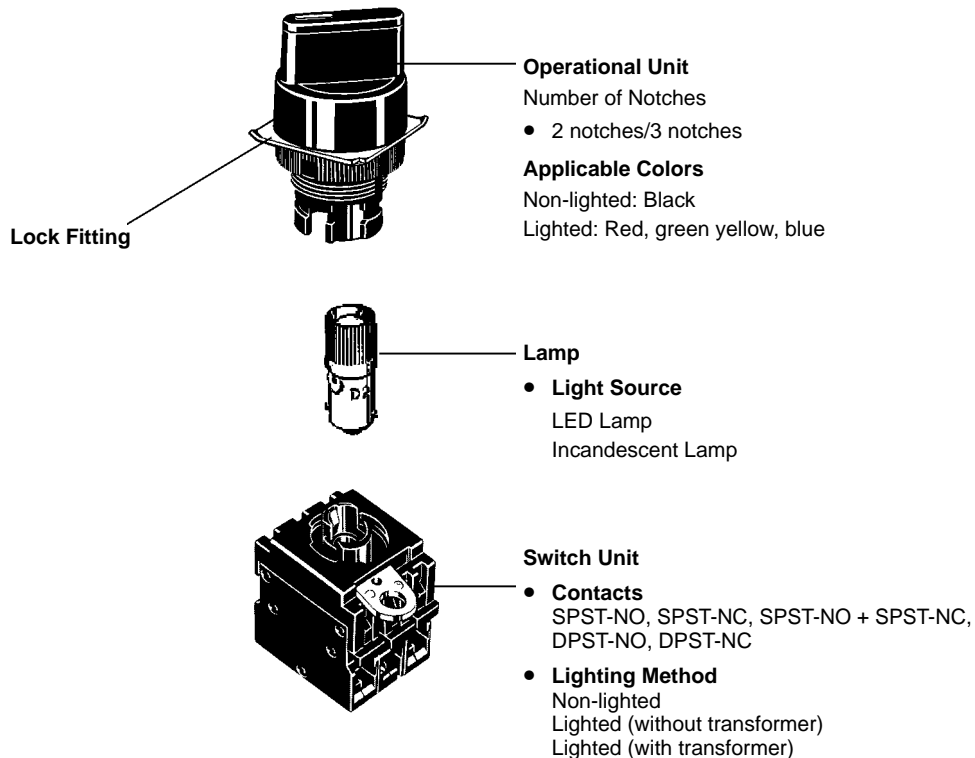
- Easy mounting and removal of Switch Unit.
- Increase wiring efficiency with three-row mounting of Switch Unit.
- Finger protection mechanism on Switch Unit provided as a standard feature.
- Use 25-dia. ring to install in 25-dia. panel cutouts.
- Install using either round, forked crimp terminals, or ferrules.
- IP65 oil resistance (Non-lighted models)
EN60947-5-1



This product was manufactured at OMRON Izumo. OMRON Izumo has obtained approvals from international certification bodies for its quality system and environmental control system.

Ordering Information

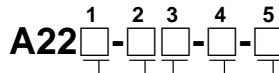
■ Construction



Refer to the pages 48 to 64 for specifications, accessories, installation, and precautions.

■ Model Number Legend (Completely Assembled)

Shipped as a set which includes the Operational Unit, LED (lighted type only), and Switch Unit.



1 Lighted/Non-lighted

Code	Description
S	Non-lighted
W	Lighted

2 Number of Notches/Reset Method

Code	Description
2M	2 notches/Maintained
2A	2 notches/Spring return
3M	3 notches/Maintained
3A	3 notches/Spring return

3 Illumination Color

Code	Description
None	Non-lighted
R	Red
G	Green
Y	Yellow
A	Blue

4 Light Source

Without Transformer		
Code	Rated Voltage	
None	Non-lighted	
6D	LED	6 VDC
6A		6 VAC
12A		12 VAC/DC
24A		24 VAC/DC
With Transformer		
None	Non-lighted	
T1	LED	110 VAC*1
T2		220 VAC*2

5 Contacts

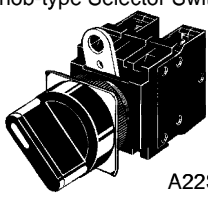

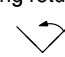

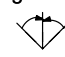
Code	Description
10	SPST-NO (*)
01	SPST-NC (*)
11	SPST-NO + SPST-NC
20	DPST-NO
02	DPST-NC

Note: *: for models with 2 notches

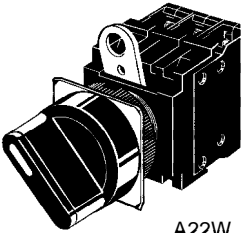



Note: The LED lamp (24 VAC/DC) can be lit by directly applying 110 VAC/DC (220 VAC/DC) to the lamp terminal. LED incorporates the 24-VAC/DC type.
 *1) Operational voltage: 95 to 115 VAC
 *2) Operational voltage: 190 to 230 VAC

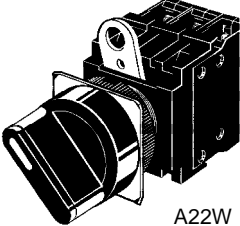

■ Knob-type Selector Switch (Completely Assembled)

Non-lighted

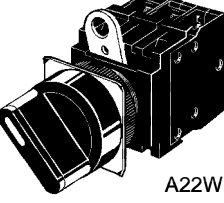





Appearance	Number of notches	Resetting method	Output	Model	Color of Operational Unit
 <p>A22S</p>	2 notches	Maintained 	SPST-NO	A22S-2M-10	Black
			SPST-NC	A22S-2M-01	
			SPST-NO + SPST-NC	A22S-2M-11	
		Spring return 	DPST-NO	A22S-2M-20	
			DPST-NC	A22S-2M-02	
			SPST-NO	A22S-2A-10	
	3 notches	Maintained 	SPST-NO + SPST-NC	A22S-3M-11	
			DPST-NO	A22S-3M-20	
			DPST-NC	A22S-3M-02	
		Spring return 	SPST-NO + SPST-NC	A22S-3A-11	
			DPST-NO	A22S-3A-20	
			DPST-NC	A22S-3A-02	

Lighted (Without Transformer)

Appearance	Number of notches	Resetting method	Output	Rated voltage	Model	Illumination color	
Knob-type Selector Switch LED lighting (Without transformer)  A22W	2 notches	Maintained 	SPST-NO	6 VDC	A22W-2M□-6D-10	Insert one of the following letters into the box □. R (red) Y (yellow) G (green) A (blue)	
				6 VAC	A22W-2M□-6A-10		
				12 VAC/DC	A22W-2M□-12A-10		
				24 VAC/DC	A22W-2M□-24A-10		
			SPST-NC	6 VDC	A22W-2M□-6D-01		
				6 VAC	A22W-2M□-6A-01		
				12 VAC/DC	A22W-2M□-12A-01		
				24 VAC/DC	A22W-2M□-24A-01		
			SPST-NO + SPST-NC	6 VDC	A22W-2M□-6D-11		
				6 VAC	A22W-2M□-6A-11		
				12 VAC/DC	A22W-2M□-12A-11		
			24 VAC/DC	A22W-2M□-24A-11			
				DPST-NO	6 VDC		A22W-2M□-6D-20
					6 VAC		A22W-2M□-6A-20
			12 VAC/DC		A22W-2M□-12A-20		
			24 VAC/DC	A22W-2M□-24A-20			
				DPST-NC	6 VDC		A22W-2M□-6D-02
					6 VAC		A22W-2M□-6A-02
	12 VAC/DC	A22W-2M□-12A-02					
	24 VAC/DC	A22W-2M□-24A-02					
		Spring return 	SPST-NO	6 VDC	A22W-2A□-6D-10		
				6 VAC	A22W-2A□-6A-10		
	12 VAC/DC			A22W-2A□-12A-10			
	24 VAC/DC		A22W-2A□-24A-10				
			SPST-NC	6 VDC	A22W-2A□-6D-01		
				6 VAC	A22W-2A□-6A-01		
	12 VAC/DC			A22W-2A□-12A-01			
	24 VAC/DC		A22W-2A□-24A-01				
			SPST-NO + SPST-NC	6 VDC	A22W-2A□-6D-11		
				6 VAC	A22W-2A□-6A-11		
12 VAC/DC	A22W-2A□-12A-11						
24 VAC/DC	A22W-2A□-24A-11						
	DPST-NO	6 VDC	A22W-2A□-6D-20				
		6 VAC	A22W-2A□-6A-20				
12 VAC/DC		A22W-2A□-12A-20					
24 VAC/DC	A22W-2A□-24A-20						
	DPST-NC	6 VDC	A22W-2A□-6D-02				
		6 VAC	A22W-2A□-6A-02				
12 VAC/DC		A22W-2A□-12A-02					
24 VAC/DC	A22W-2A□-24A-02						
	3 notches	Maintained 	SPST-NO + SPST-NC	6 VDC	A22W-3M□-6D-11		
				6 VAC	A22W-3M□-6A-11		
12 VAC/DC				A22W-3M□-12A-11			
24 VAC/DC				A22W-3M□-24A-11			
DPST-NO			6 VDC	A22W-3M□-6D-20			
			6 VAC	A22W-3M□-6A-20			
			12 VAC/DC	A22W-3M□-12A-20			
			24 VAC/DC	A22W-3M□-24A-20			
DPST-NC			6 VDC	A22W-3M□-6D-02			
			6 VAC	A22W-3M□-6A-02			
			12 VAC/DC	A22W-3M□-12A-02			
			24 VAC/DC	A22W-3M□-24A-02			

Appearance	Number of notches	Resetting method	Output	Rated voltage	Model	Illumination color
Knob-type Selector Switch LED lighting (Without transformer)  A22W	3 notches	Spring return 	SPST-NO + SPST-NC	6 VDC	A22W-3A□-6D-11	Insert one of the following letters into the box □. R (red) Y (yellow) G (green) A (blue)
				6 VAC	A22W-3A□-6A-11	
				12 VAC/DC	A22W-3A□-12A-11	
				24 VAC/DC	A22W-3A□-24A-11	
			DPST-NO	6 VDC	A22W-3A□-6D-20	
				6 VAC	A22W-3A□-6A-20	
				12 VAC/DC	A22W-3A□-12A-20	
				24 VAC/DC	A22W-3A□-24A-20	
			DPST-NC	6 VDC	A22W-3A□-6D-02	
				6 VAC	A22W-3A□-6A-02	
				12 VAC/DC	A22W-3A□-12A-02	
				24 VAC/DC	A22W-3A□-24A-02	

Lighted (With Transformer)

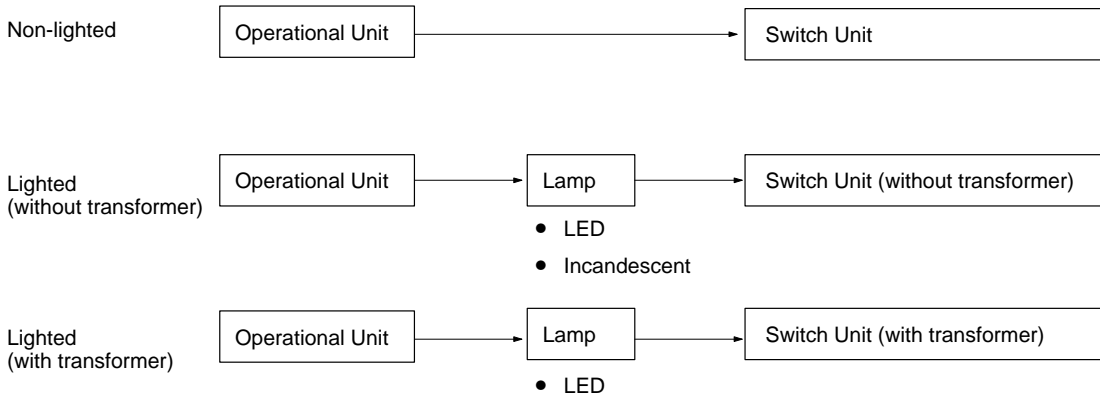
Appearance	Number of notches	Resetting method	Output	Rated voltage	Model	Operational Unit symbol (color)			
Knob-type Selector Switch LED transformer lighting (With transformer)  A22W	2 notches	Maintained 	SPST-NO	110 VAC	A22W-2M□-T1-10	Insert one of the following letters into the box □. R (red) Y (yellow) G (green) A (blue)			
				220 VAC	A22W-2M□-T2-10				
			SPST-NC	110 VAC	A22W-2M□-T1-01				
				220 VAC	A22W-2M□-T2-01				
			SPST-NO + SPST-NC	110 VAC	A22W-2M□-T1-11				
				220 VAC	A22W-2M□-T2-11				
			DPST-NO	110 VAC	A22W-2M□-T1-20				
				220 VAC	A22W-2M□-T2-20				
			DPST-NC	110 VAC	A22W-2M□-T1-02				
				220 VAC	A22W-2M□-T2-02				
			3 notches	Maintained 	Spring return 		SPST-NO	110 VAC	A22W-2A□-T1-10
								220 VAC	A22W-2A□-T2-10
	SPST-NC	110 VAC				A22W-2A□-T1-01			
		220 VAC				A22W-2A□-T2-01			
	SPST-NO + SPST-NC	110 VAC				A22W-2A□-T1-11			
		220 VAC				A22W-2A□-T2-11			
	DPST-NO	110 VAC			A22W-2A□-T1-20				
		220 VAC			A22W-2A□-T2-20				
	DPST-NC	110 VAC			A22W-2A□-T1-02				
		220 VAC			A22W-2A□-T2-02				
	Maintained 	SPST-NO + SPST-NC			110 VAC	A22W-3M□-T1-11			
					220 VAC	A22W-3M□-T2-11			
		DPST-NO	110 VAC	A22W-3M□-T1-20					
			220 VAC	A22W-3M□-T2-20					
DPST-NC		110 VAC	A22W-3M□-T1-02						
		220 VAC	A22W-3M□-T2-02						
Spring return 	SPST-NO + SPST-NC	110 VAC	A22W-3A□-T1-11						
		220 VAC	A22W-3A□-T2-11						
	DPST-NO	110 VAC	A22W-3A□-T1-20						
		220 VAC	A22W-3A□-T2-20						
	DPST-NC	110 VAC	A22W-3A□-T1-02						
		220 VAC	A22W-3A□-T2-02						

Note: When ordering, specify the symbol that indicates color of the Operational Unit in the □ of the model number.

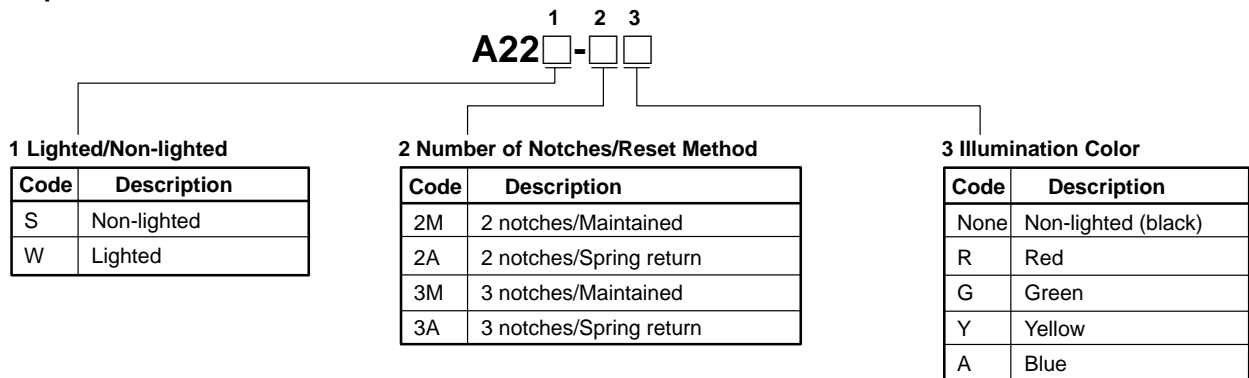
■ Model Number Legend (Subassembly)

The Operational Unit, Lamp, or Switch Unit can be ordered separately. Use them in combination for models that are not available as assembled units. These can also be used as inventory for maintenance parts.

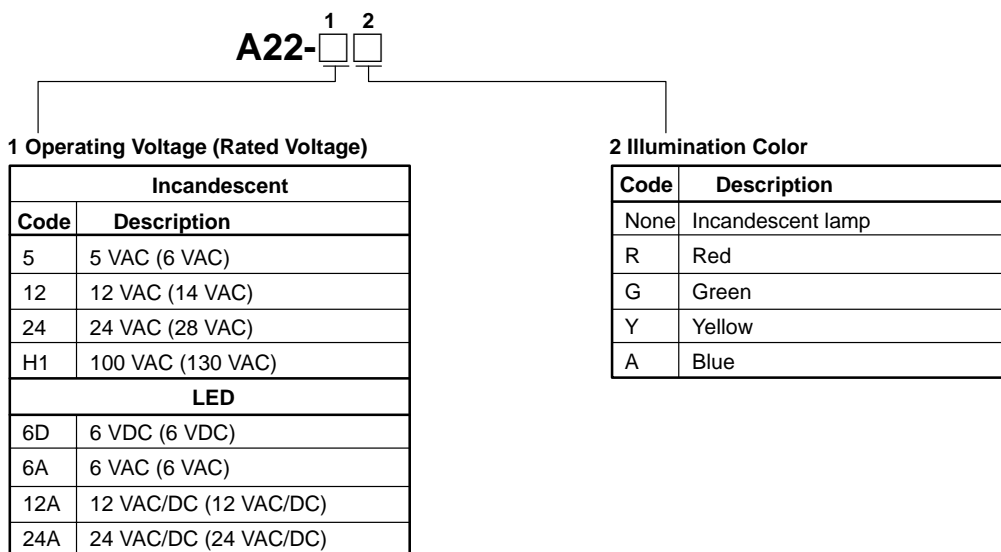
Unit Combinations



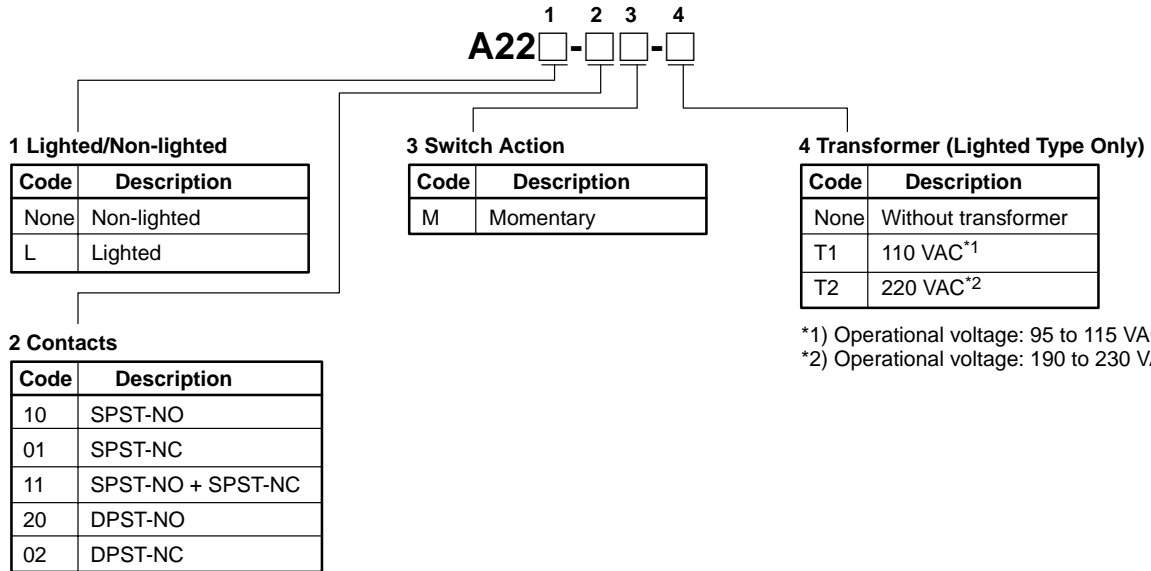
1. Operational Unit



2. Lamp



3. Switch Unit



■ Knob-type Selector Switch (Subassembly)

Operational Units

Non-lighted (Color: Only Black is Available)


Notches	Reset method	Standard lever IP65 (oil-resistant)
2 notches	Maintained	A22S-2M
	Spring return	A22S-2A
3 notches	Maintained	A22S-3M
	Spring return	A22S-3A

Lighted

Notches	Reset method	Operational Unit color	Standard lever IP65
2 notches	Maintained	Red	A22W-2MR
		Green	A22W-2MG
		Yellow	A22W-2MY
		Blue	A22W-2MA
	Spring return	Red	A22W-2AR
		Green	A22W-2AG
		Yellow	A22W-2AY
		Blue	A22W-2AA
3 notches	Maintained	Red	A22W-3MR
		Green	A22W-3MG
		Yellow	A22W-3MY
		Blue	A22W-3MA
	Spring return	Red	A22W-3AR
		Green	A22W-3AG
		Yellow	A22W-3AY
		Blue	A22W-3AA


Lamps

LED

Rated voltage 	6 VDC	6 VAC	12 VAC	24 VAC
LED light				
Red	A22-6DR	A22-6AR	A22-12AR	A22-24AR
Green	A22-6DG	A22-6AG	A22-12AG	A22-24AG
Yellow (see note 2)	A22-6DY	A22-6AY	A22-12AY	A22-24AY
White	A22-6DW	A22-6AW	A22-12AW	A22-24AW
Blue	A22-6DA	A22-6AA	A22-12AA	A22-24AA


Note: 1. For transformer lighting, use the A22-24A□.
 2. Used when the Operational Unit color is yellow or white.

Incandescent

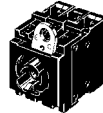
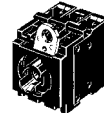
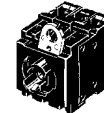
Rated voltage	6 VAC	14 VAC	28 VAC	130 VAC
	A22-5	A22-12	A22-24	A22-H1

Switch Unit

Non-lighted

Switch Action 	Contacts	Model
Spring return	SPST-NO	A22-10M
	SPST-NC	A22-01M
	SPST-NO + SPST-NC	A22-11M
	DPST-NO	A22-20M
	DPST-NC	A22-02M

Lighted

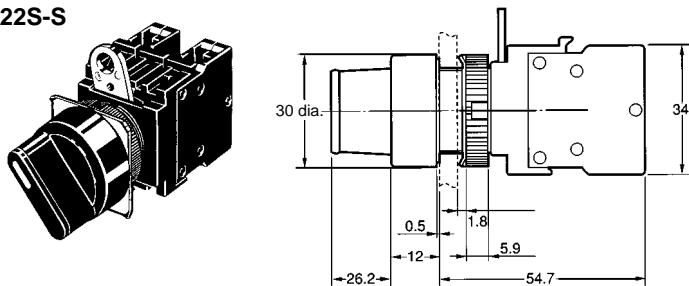
Switch Action	Contacts	Transformer circuit		
		Without transformer 	With transformer	
			110 VAC 	220 VAC 
Spring return	SPST-NO	A22L-10M	A22L-10M-T1	A22L-10M-T2
	SPST-NC	A22L-01M	A22L-01M-T1	A22L-01M-T2
	SPST-NO + SPST-NC	A22L-11M	A22L-11M-T1	A22L-11M-T2
	DPST-NO	A22L-20M	A22L-20M-T1	A22L-20M-T2
	DPST-NC	A22L-02M	A22L-02M-T1	A22L-02M-T2

Dimensions

Note: All units are in millimeters unless otherwise indicated.

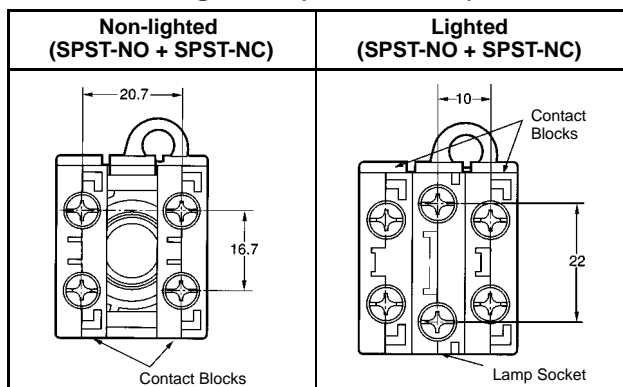
■ Knob-type Selector Switch (Lighted/Non-lighted)

A22S-S

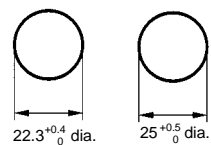


■ Terminal Arrangement

Terminal Arrangement (Bottom View)



Panel Cutout Dimensions



Note: When applying coating such as paint to the panel, the dimensions should be those after the application of coating. Lock fitting is provided as a standard item.

Terminal Connection

Type	Connection diagram
Non-lighted	<p>Bottom view</p>
Lighted without transformer	<p>Bottom view</p>
Lighted with transformer	<p>Bottom view</p>

Note: The above terminal connection diagrams are examples for SPST-NO + SPST-NC.

■ Contact Configuration

2-notch Type

Knob position	SPST-NO	SPST-NC	SPST-NO + SPST-NC	DPST-NO	DPST-NC

3-notch Type

Knob position	SPST-NO + SPST-NC	DPST-NO	DPST-NC

ALL DIMENSIONS SHOWN ARE IN MILLIMETERS.

To convert millimeters into inches, multiply by 0.03937. To convert grams into ounces, multiply by 0.03527.