

XS2

Sealed Circular Connectors (M12)

Waterproof Round Connectors Conform to IP67 Requirements

- A variety of models for a wide range of I/O applications.
- Standard connector models provided with 1, 2, 5, or 10-m cables.
- Solder, crimp and screw wiring models are available.
- Provided with four or eight connector poles.



■ Screw-on Connectors

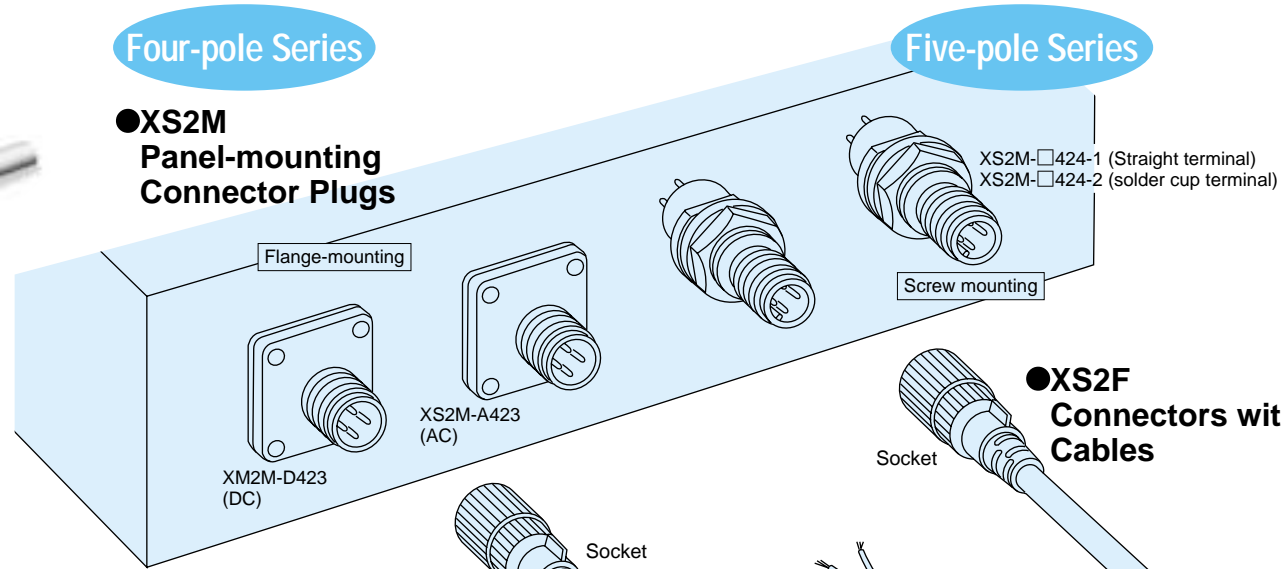
No crimping tools or soldering free.

➔ Connect with ease just using a screwdriver.



Four-pole Series

●XS2M Panel-mounting Connector Plugs

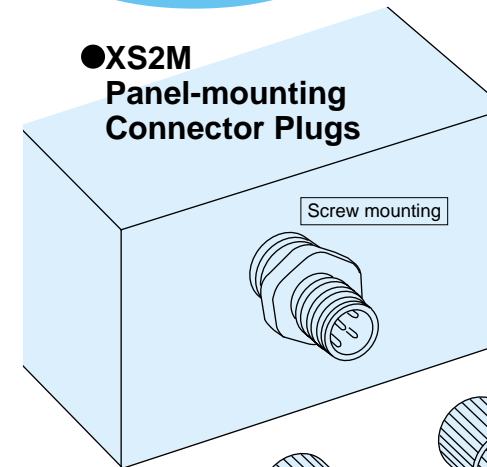


Five-pole Series

XS2M-□424-1 (Straight terminal)
XS2M-□424-2 (solder cup terminal)

Eight-pole Series

●XS2M Panel-mounting Connector Plugs

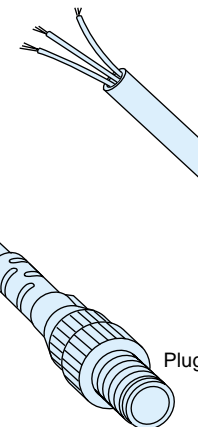


●XS2F Connectors with Cables

Socket

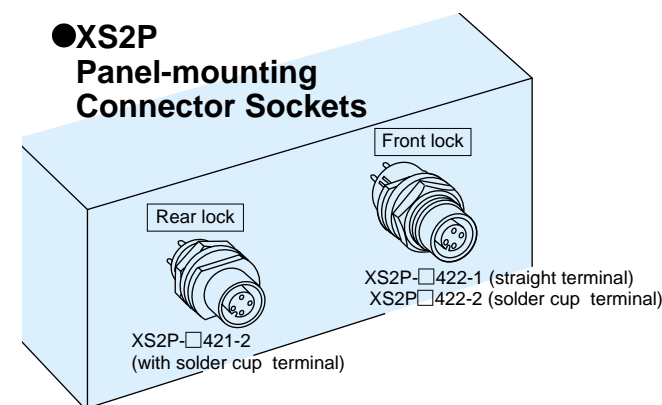
●XS2W Connectors with Cables

Socket



●XS2H Connectors with Cables

●XS2P Panel-mounting Connector Sockets



●XS2F

●XS2W

●XS2C Assembled Connector Sockets

	Screw-on connector XS2C-D4S□	Soldering XS2C-□42□	Crimp XS2C-□4C□
Shape			
Number of contacts	4	4	4

●XS2G Assembled Connector Plugs

	Screw-on connector XS2G-D4S□	Soldering XS2G-□42□	Crimp XS2G-□4C□
Shape			
Number of contacts	4	4	4

XS2□-□□2□-□□□-□
(1) (2) (3) (4) (5) (6) (7) (8)

(1) W: Cable with connector sockets or plugs on both ends
F: Cable with single connector socket or plug
H: Cable with single connector plug

(2) Number of contacts
(3) 0.4-um gold plating
(4) Cable pull-out direction

(5) Cable length
1: Straight
2: L-shaped
3: Straight (XS2F)/L-shaped (XS2H)
4: L-shaped (XS2F)/Straight (XS2H)

(6) Wires

A: 0.3 m
B: 0.3 m
C: 1 m
D: 2 m
E: 3 m
F: 4 m
G: 5 m
H: 7 m
J: 10 m
K: 15 m
L: 20 m

A: Brown, ---, ---, blue (DC)
B: ---, ---, brown, blue (AC)
C: Brown, ---, blue, black
8: Brown, white, blue, black (DC)
9: Brown, white, blue, black (AC)
(7) 0: Connector on one end
1: Connectors on both ends
(8) Cable specifications
A: Standard
R: Robot cable (bending resistant)
F: Flame-retardant cable (bending resistant)

XS2□-□□4□□
(1) (2) (3) (4)

(1) C: Assembled connector sockets
G: Assembled connector plugs
(2) D:DC
A:AC
(3) S:Screw-on
2:Soldering
C:Crimp
(4) Straight model
1: Cable dia φ6
2: Cable dia φ4
3: Cable dia φ4
4: Cable dia φ4
5: Cable dia φ3
L-shaped model
2: Cable dia φ6
4: Cable dia φ4
6: Cable dia φ3